

Driver Interface Module for an Electric Racecar

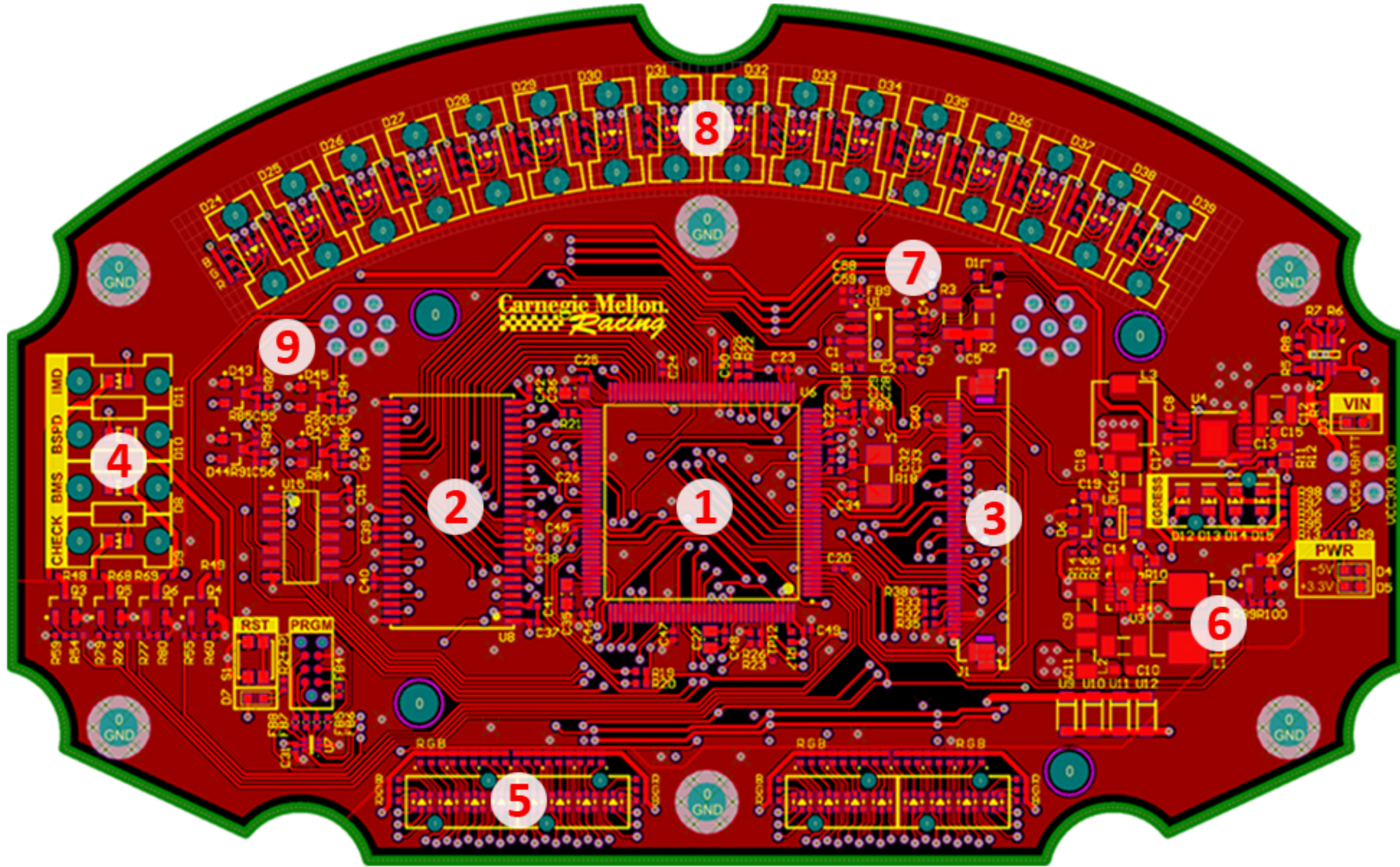
18-549 Embedded Design Capstone, Spring 2016



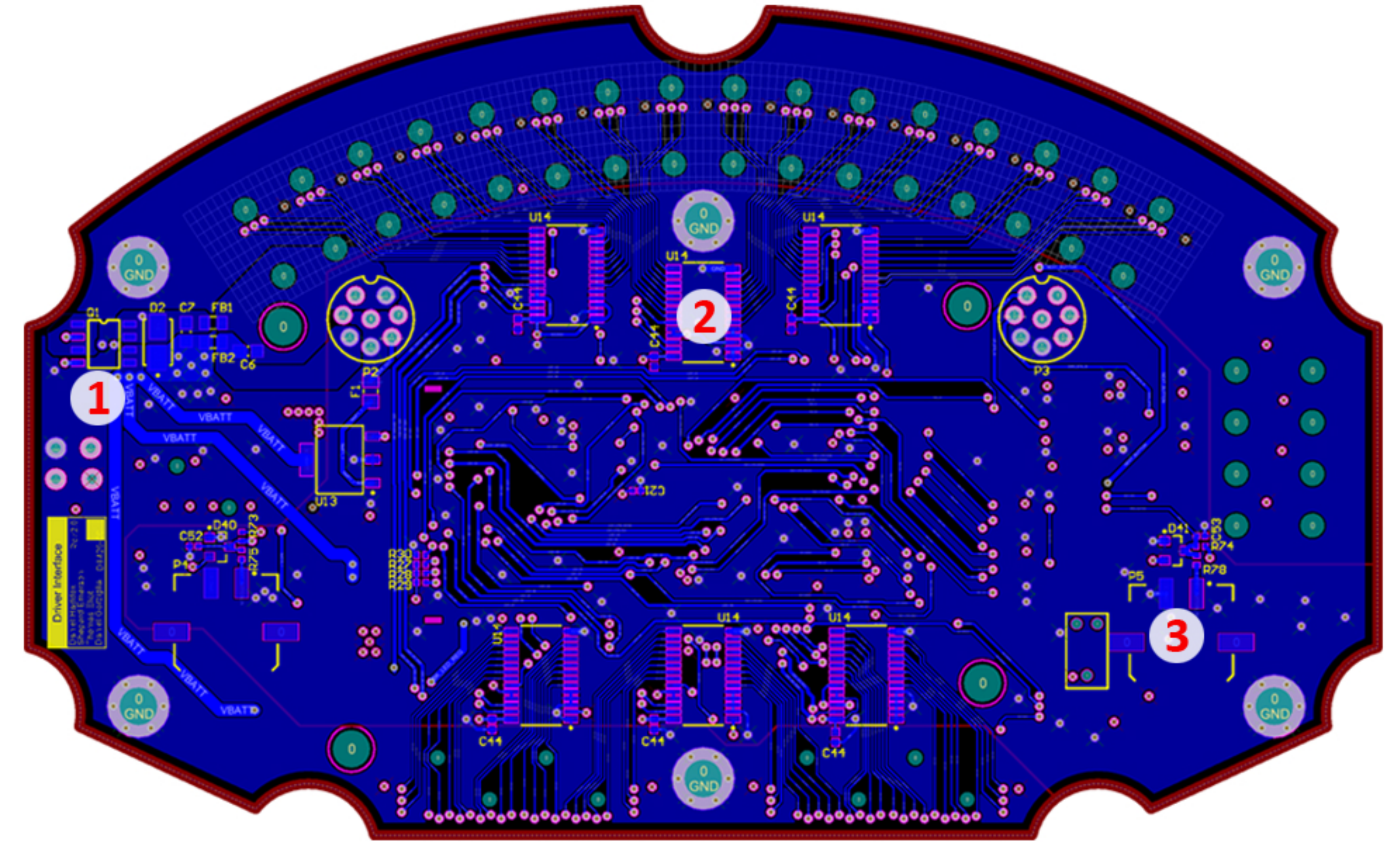
Hardware Overview

4 layer PCB, with power and ground planes

Top Layer



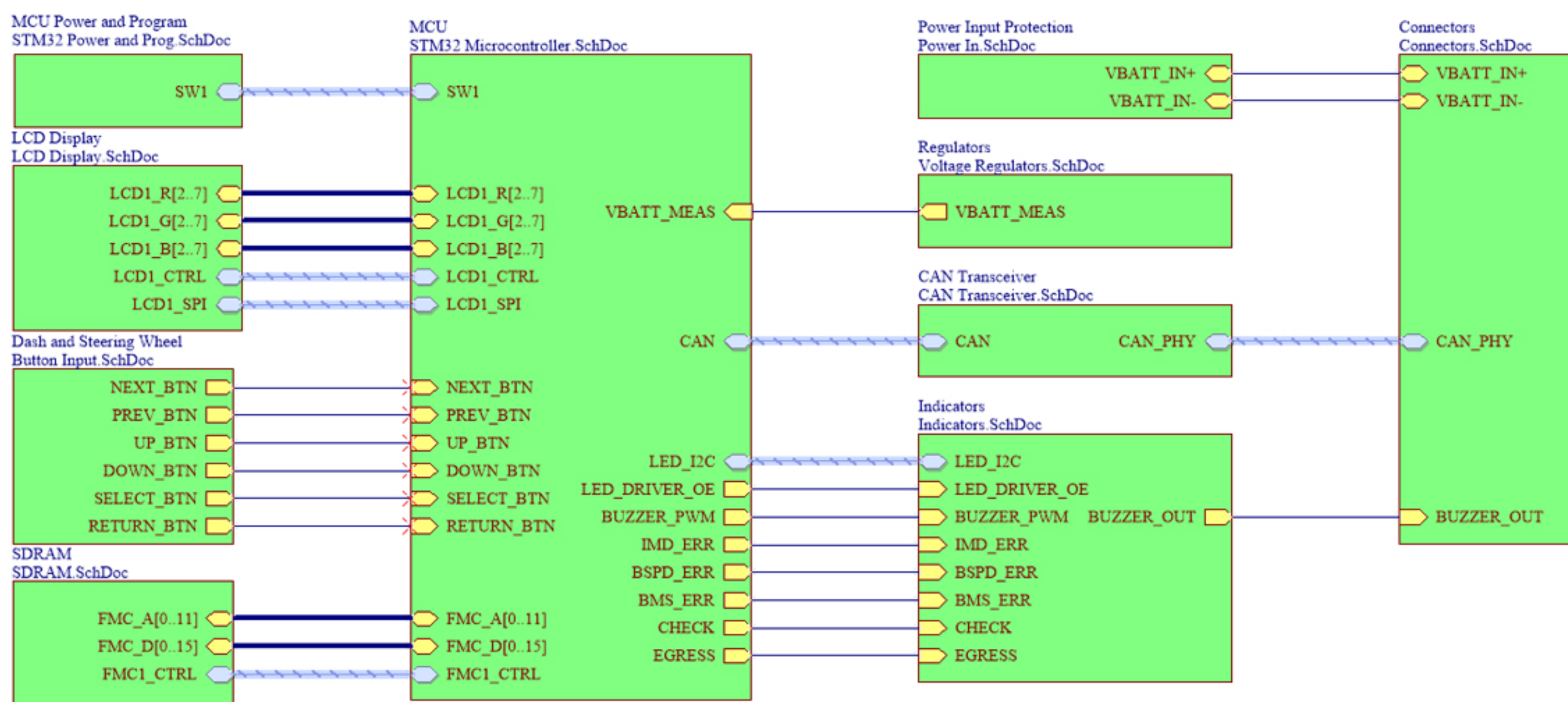
Bottom Layer



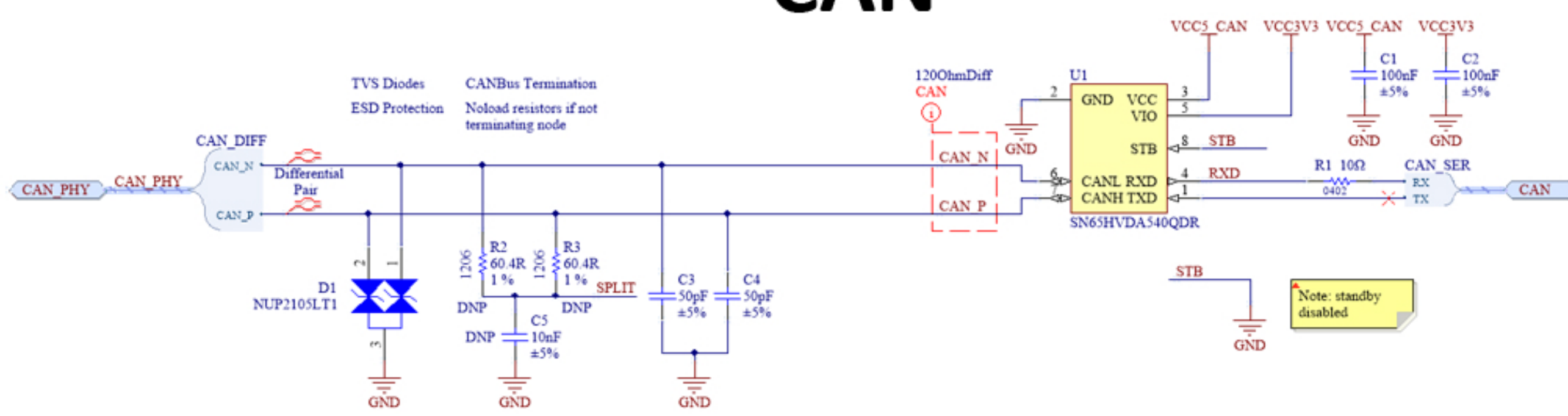
(1) 32-bit ARM Cortex M4, (2) 64 Mbit SDRAM, (3) Connector for 2.8" Color LCD Display, (4) Safety critical LED indicators, (5) Auxiliary LED bargraph, (6) 5V and 3.3V power supplies, (7) CAN transceiver, (8) Auxiliary LED arc, (9) Connector / input protection

(1) Power input transient/under/over/reverse voltage protection, (2) I2C LED drivers, (3) Connector for buttons

High Level Schematics



CAN



Microcontroller

