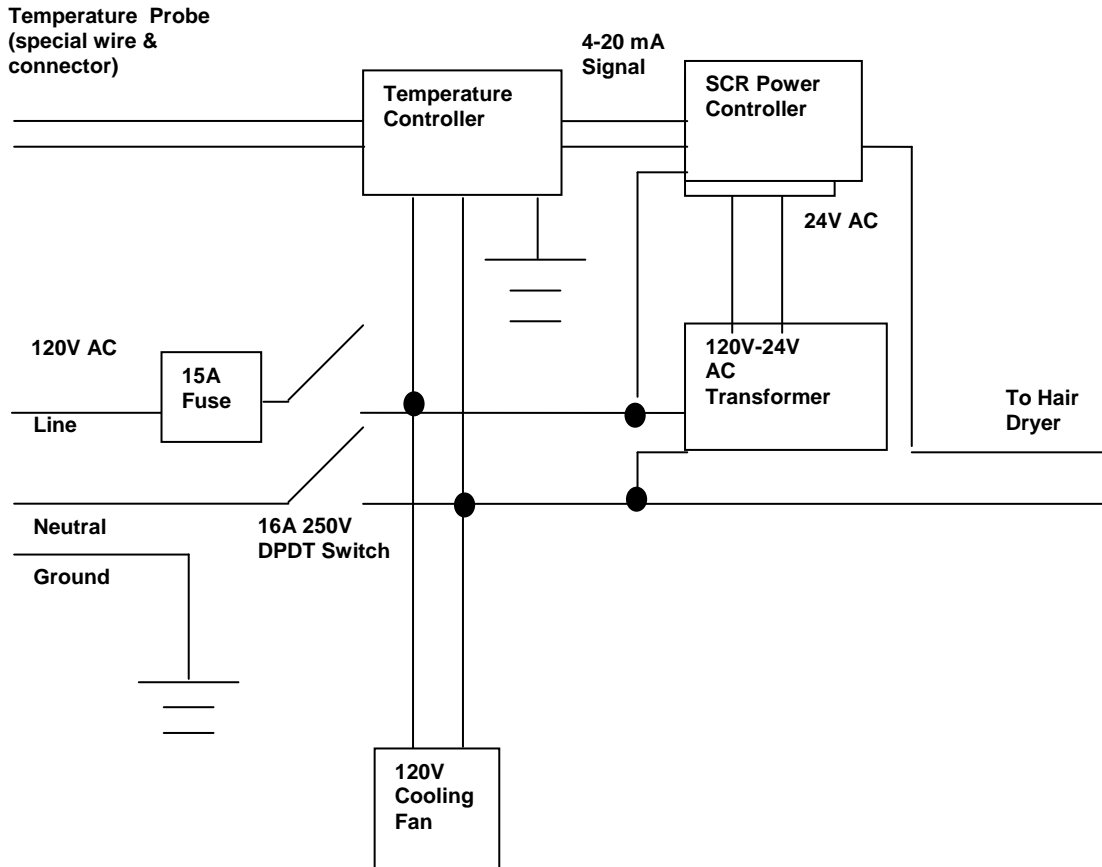


# Proportional Temperature Controller for Microscope



## Parts List

SCR Power Controller	Control Concepts Model 1025-12-20-4/20ma w/ transformer
Temperature Controller	Omega Engineering Model CN77R353
Thermal Couple Probe	Omega Engineering Model SA-1E
Thermal Couple Wire	Omega Engineering Model EXFF-E-24-25
Thermal Couple Connector	Omega Engineering Model NMP-E-M or F
Hair Dryer	Dual-power, set at low power

Designed by and Copyrighted to Yu-li Wang